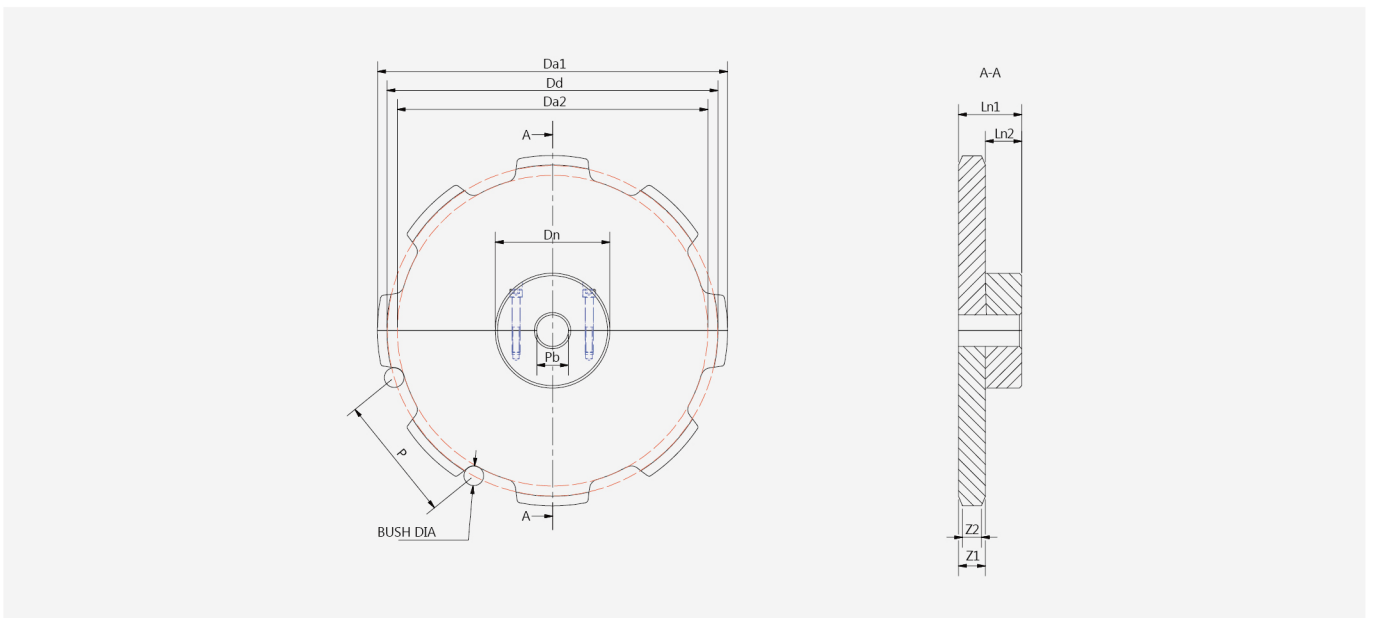




Sprockets For Metric Conveyor Chains

DIN 8165 FV



ISO Nr	Chain Pitch [mm]	z No. of teeth [pieces]	Dd [mm]	Da1 Outside [mm]	Da2 Tooth bottom dia [mm]	Bush dia [mm]	Dn Hub dia [mm]	Ln1 Total width [mm]	Ln2 Hub width [mm]	Z1 Plate thickness [mm]	Z2 Tooth peak width [mm]	Pre bore [mm]
FV63	63	10	203.87	221.87	185.87	18	–	110	90	20	14	30
FV63	63	16	322.93	340.93	304.93	18	–	125	105	20	14	30
FV63	63	24	482.66	500.66	464.66	18	–	135	115	20	14	40
FV63	63	40	802.97	820.97	784.97	18	185.87	165	145	20	14	40
FV63	100	8	261.31	279.31	243.31	18	190	120	100	20	14	30
FV63	100	10	323.61	341.61	305.61	18	255	125	105	20	14	30
FV63	100	16	512.58	530.58	494.58	18	440	145	125	20	14	40
FV63	100	24	766.13	784.13	748.13	18	695	155	135	20	14	40
FV63	125	8	326.64	344.64	308.64	18	255	125	105	20	14	40
FV63	125	10	404.51	422.51	386.51	18	335	135	115	20	14	40

* Continued

ISO Nr	Chain Pitch [mm]	z No. of teeth [pieces]	Dd [mm]	Da1 Outside [mm]	Da2 Tooth bottom dia [mm]	Bush dia [mm]	Dn Hub dia [mm]	Ln1 Total width [mm]	Ln2 Hub width [mm]	Z1 Plate thickness [mm]	Z2 Tooth peak width [mm]	Pre bore [mm]
FV63	125	12	482.96	500.96	464.96	18	410	135	115	20	14	40
FV63	160	8	418.1	436.1	400.1	18	350	135	115	20	14	40
FV63	160	10	517.78	535.78	499.78	18	448	145	125	20	14	40
FV63	160	12	618.19	636.19	600.19	18	550	155	135	20	14	40
FV90	63	10	203.87	223.87	183.87	20	–	120	99	21	14	30
FV90	63	16	322.93	342.93	302.93	20	–	135	114	21	14	30
FV90	63	24	482.66	502.66	462.66	20	–	145	124	21	14	40
FV90	63	40	802.97	822.97	782.97	20	–	170	149	21	14	40
FV90	100	7	230.48	250.48	210.48	20	140	125	104	21	17	30
FV90	100	8	261.31	281.31	241.31	20	175	125	104	21	17	30
FV90	100	10	323.61	343.61	303.61	20	240	135	114	21	17	30
FV90	100	16	512.58	532.58	492.58	20	430	155	134	21	17	40
FV90	100	24	766.13	786.13	746.13	20	680	165	144	21	17	40
FV90	125	8	326.64	346.64	306.64	20	240	135	114	21	17	30
FV90	125	10	404.51	424.51	384.51	20	320	145	124	21	17	30
FV90	125	12	482.96	502.96	462.96	20	400	145	124	21	17	40
FV90	160	8	418.1	438.1	398.1	20	330	145	124	21	17	40
FV90	160	10	517.78	537.78	497.78	20	430	155	134	21	17	40
FV90	160	12	618.19	638.19	598.19	20	530	165	144	21	17	50
FV90	200	8	522.62	542.62	502.62	20	438	155	134	21	17	40
FV90	200	10	647.22	667.22	627.22	20	560	160	139	21	17	40
FV90	200	12	772.74	792.74	752.74	20	685	170	149	21	17	50
FV90	250	8	653.28	673.28	633.28	20	570	165	144	21	17	40
FV90	250	10	809.03	829.03	789.03	20	725	170	149	21	17	50
FV90	250	12	965.93	985.93	945.93	20	880	170	149	21	17	50
FV112	100	8	261.31	283.31	239.31	22	165	125	98	27	21	30
FV112	100	10	323.61	345.61	301.61	22	225	145	118	27	21	30
FV112	100	16	512.58	534.58	490.58	22	415	165	138	27	21	40
FV112	100	24	766.13	788.13	744.13	22	660	170	143	27	21	40
FV112	125	8	326.64	348.64	304.64	22	230	145	118	27	21	30
FV112	125	10	404.51	426.51	382.51	22	310	155	128	27	21	30
FV112	125	12	482.96	504.96	460.96	22	385	155	128	27	21	40
FV112	160	8	418.1	440.1	396.1	22	320	155	128	27	21	40
FV112	160	10	517.78	539.78	495.78	22	420	165	138	27	21	40
FV112	160	12	618.19	640.19	596.19	22	520	170	143	27	21	40
FV112	200	8	522.62	544.62	500.62	22	425	165	138	27	21	40
FV112	200	10	647.22	669.22	625.22	22	550	170	143	27	21	40
FV112	200	12	772.74	794.74	750.74	22	675	170	143	27	21	50
FV140	100	8	261.31	287.31	235.31	26	–	125	93	32	21	30
FV140	100	10	323.61	349.61	297.61	26	–	155	123	32	21	30
FV140	100	16	512.58	538.58	486.58	26	–	170	138	32	21	40
FV140	125	8	326.64	352.64	300.64	26	220	155	123	32	24	30
FV140	125	10	404.51	430.51	378.51	26	295	165	133	32	24	30
FV140	125	12	482.96	508.96	456.96	26	375	165	133	32	24	40
FV140	160	8	41.1	67.1	15.1	26	310	165	133	32	24	40

* Continued

ISO Nr	Chain Pitch [mm]	z No. of teeth [pieces]	Dd [mm]	Da1 Outside [mm]	Da2 Tooth bottom dia [mm]	Bush dia [mm]	Dn Hub dia [mm]	Ln1 Total width [mm]	Ln2 Hub width [mm]	Z1 Plate thickness [mm]	Z2 Tooth peak width [mm]	Pre bore [mm]
FV140	160	10	517.78	543.78	491.78	26	410	170	138	32	24	40
FV140	160	12	618.19	644.19	592.19	26	510	180	148	32	24	40
FV140	200	8	522.62	548.62	496.62	26	410	170	138	32	24	40
FV140	200	10	647.22	673.22	621.22	26	540	180	148	32	24	50
FV140	200	12	772.74	798.74	746.74	26	660	180	148	32	24	50
FV140	250	8	653.28	679.28	627.28	26	540	180	148	32	24	50
FV140	250	10	809.03	835.03	783.03	26	700	190	158	32	24	50
FV140	250	12	965.93	991.93	939.93	26	860	200	168	32	24	50
FV180	125	8	326.64	356.64	296.64	30	-	165	124	41	24	30
FV180	125	10	404.51	434.51	374.51	30	-	170	129	41	24	30
FV180	125	12	482.96	512.96	452.96	30	-	170	129	41	24	40
FV180	160	8	418.1	448.1	388.1	30	285	165	124	41	33	40
FV180	160	10	517.78	547.78	487.78	30	385	170	129	41	33	40
FV180	160	12	618.19	648.19	588.19	30	485	180	139	41	33	40
FV180	200	8	522.62	552.62	492.62	30	390	180	139	41	33	40
FV180	200	10	647.22	677.22	617.22	30	515	190	149	41	33	40
FV180	200	12	772.74	802.74	742.74	30	640	190	149	41	33	50
FV180	250	8	653.28	683.28	623.28	30	520	190	149	41	33	60
FV180	250	10	809.03	839.03	779.03	30	675	200	159	41	33	60
FV180	250	12	965.93	995.93	935.93	30	835	210	169	41	33	60
FV250	125	8	326.64	362.64	290.64	36	-	120	70	50	33	30
FV250	125	10	404.51	440.51	368.51	36	-	190	140	50	33	30
FV250	125	12	482.96	518.96	446.96	36	-	200	150	50	33	40
FV250	160	8	418.1	454.1	382.1	36	245	190	140	50	39	40
FV250	160	10	517.78	553.78	481.78	36	355	200	150	50	39	40
FV250	160	12	618.19	654.19	582.19	36	455	210	160	50	39	40
FV250	200	8	522.62	558.62	486.62	36	360	200	150	50	39	60
FV250	200	10	647.22	683.22	611.22	36	485	210	160	50	39	60
FV250	200	12	772.74	808.74	736.74	36	610	210	160	50	39	60
FV250	250	8	653.28	689.28	617.28	36	490	210	160	50	39	60
FV250	250	10	809.03	845.03	773.03	36	645	215	165	50	39	60
FV250	250	12	865.93	901.93	829.93	36	800	225	175	50	39	60