



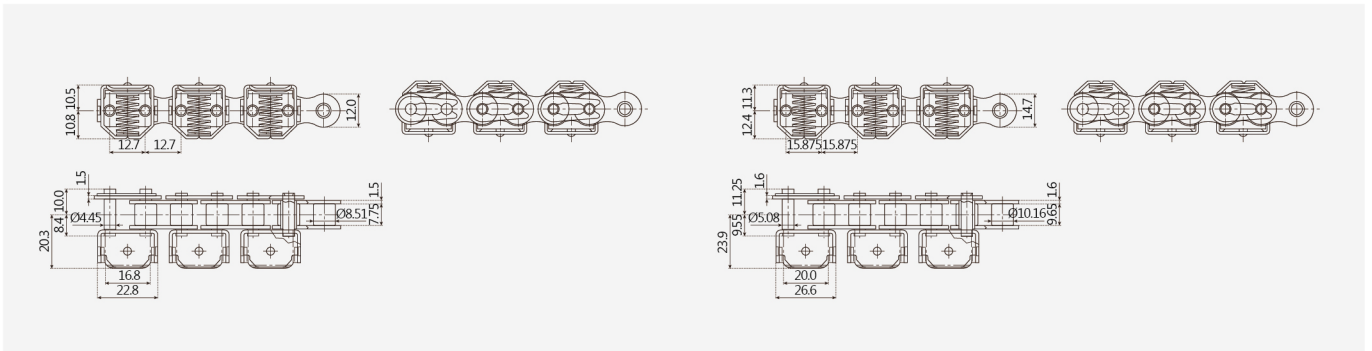
Stainless Steel

Gripper Chain



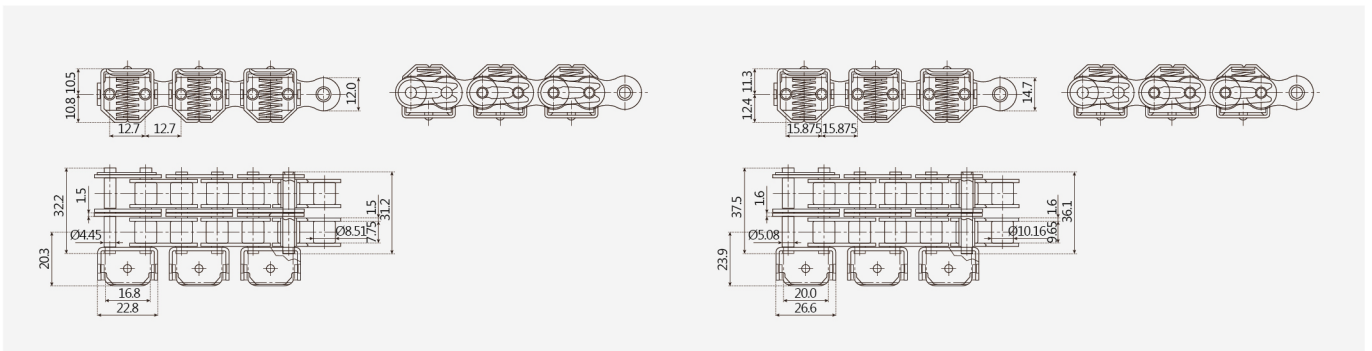
Gripper Chain **08B1SS**

Gripper Chain **10B1SS**



Gripper Chain **08B2SS**

Gripper Chain **10B2SS**



Chain No.	Pitch p [mm]	Type	Spring load [N]	Breaking load [kN]
08B1SS	12.70	M	50	16.5
10B1SS	15.875	M	70	20
08B2SS	12.70	M	50	33
10B2SS	15.875	M	70	40