

Technical Description

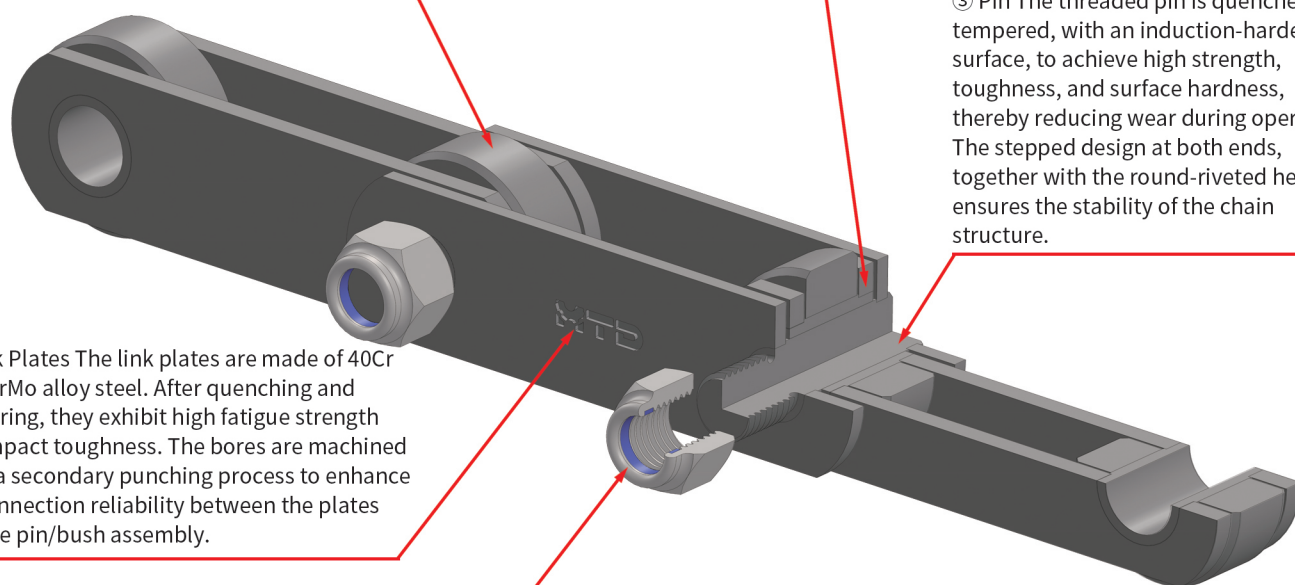
① Roller The rollers may be carburized or induction hardened to achieve high surface hardness and reduce wear during operation.

② Bush The bush is carburized, quenched and tempered to achieve high surface hardness and excellent wear resistance. The stepped design at both ends ensures the stability of the chain structure.

③ Pin The threaded pin is quenched and tempered, with an induction-hardened surface, to achieve high strength, toughness, and surface hardness, thereby reducing wear during operation. The stepped design at both ends, together with the round-riveted head, ensures the stability of the chain structure.

④ Link Plates The link plates are made of 40Cr or 42CrMo alloy steel. After quenching and tempering, they exhibit high fatigue strength and impact toughness. The bores are machined using a secondary punching process to enhance the connection reliability between the plates and the pin/bush assembly.

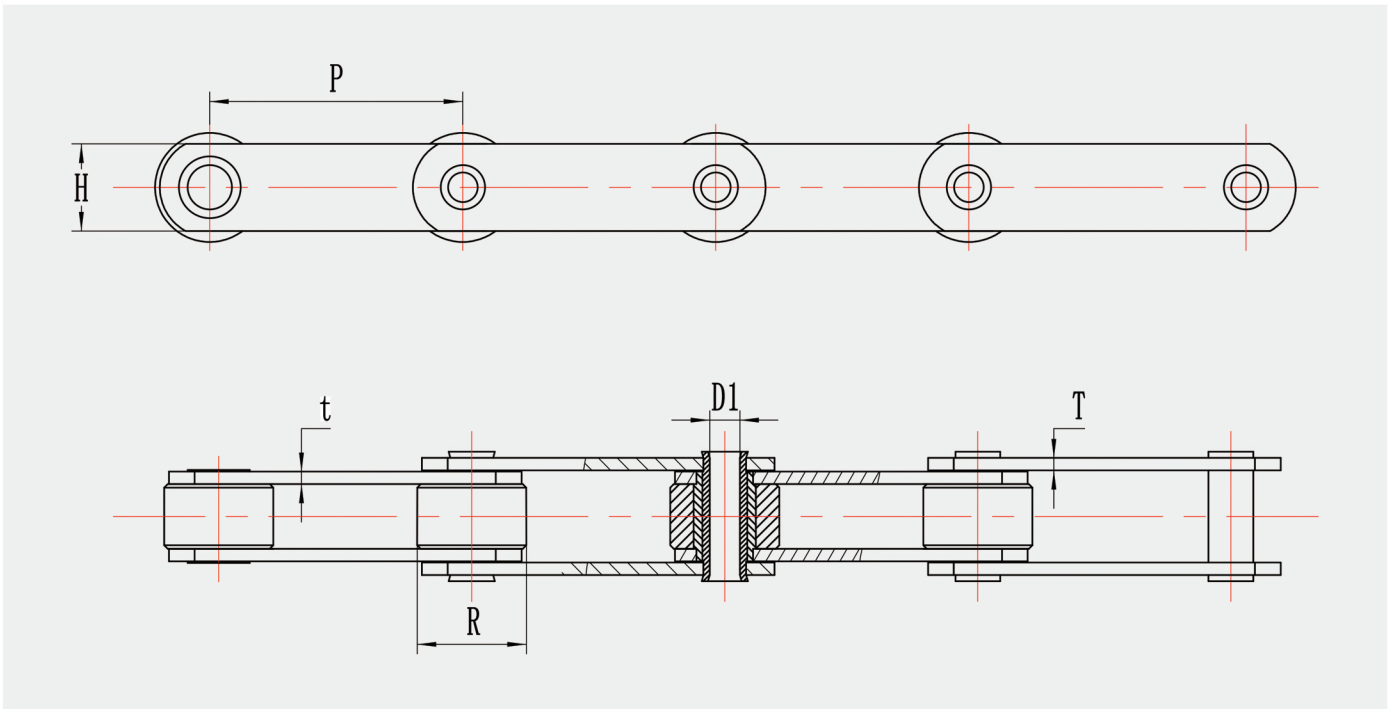
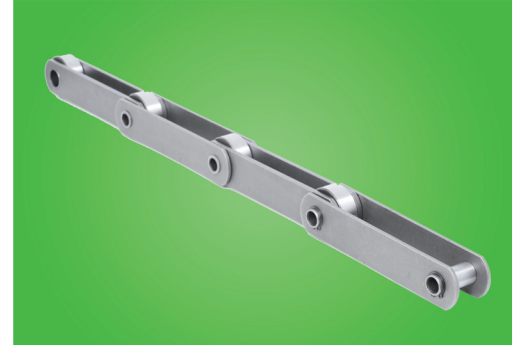
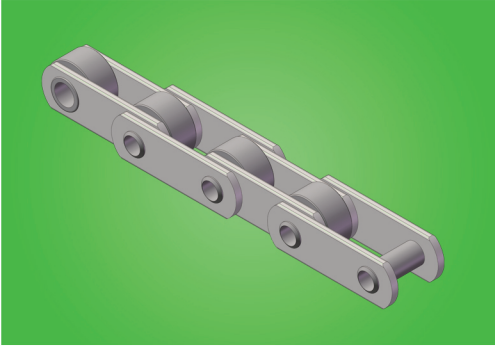
⑤ Lock Nuts High-strength nylon-insert lock nuts are used as standard for more reliable attachment mounting.





Palm Oil Chain

Hollow Pin Chain



MTD No	Pitch*		Breaking Load* (lbf)	Roller Dia*	Inner Width*	Plate Depth*	Plate Thickness*		Pin Dia* (mm)	
	P			(mm)	(mm)	(mm)	t	T	D1	D2
	inch	mm		R	I	H				
MTD117C-2in6000lb	2	50.8	6000	31.75	15.24	25.4	4	4	/	10.36
MTD117C-2in6000lb	6	152.4	6000	31.75	15.24	25.4	4	4	/	10.36
MTD118C-3in12000lb	3	76.2	12000	47.63	19.16	38.1	5.1	3.81	/	13.2
MTD118C-4in12000lb	4	101.6	12000	47.63	19.16	38.1	5.1	3.81	/	13.2
MTD119C-4in24000lb	4	101.6	24000	66.7	25.4	50.8	7.1	5.1	/	26.97
MTD119C-6in24000lb	6	152.4	24000	66.7	25.4	50.8	7.1	5.1	/	26.97

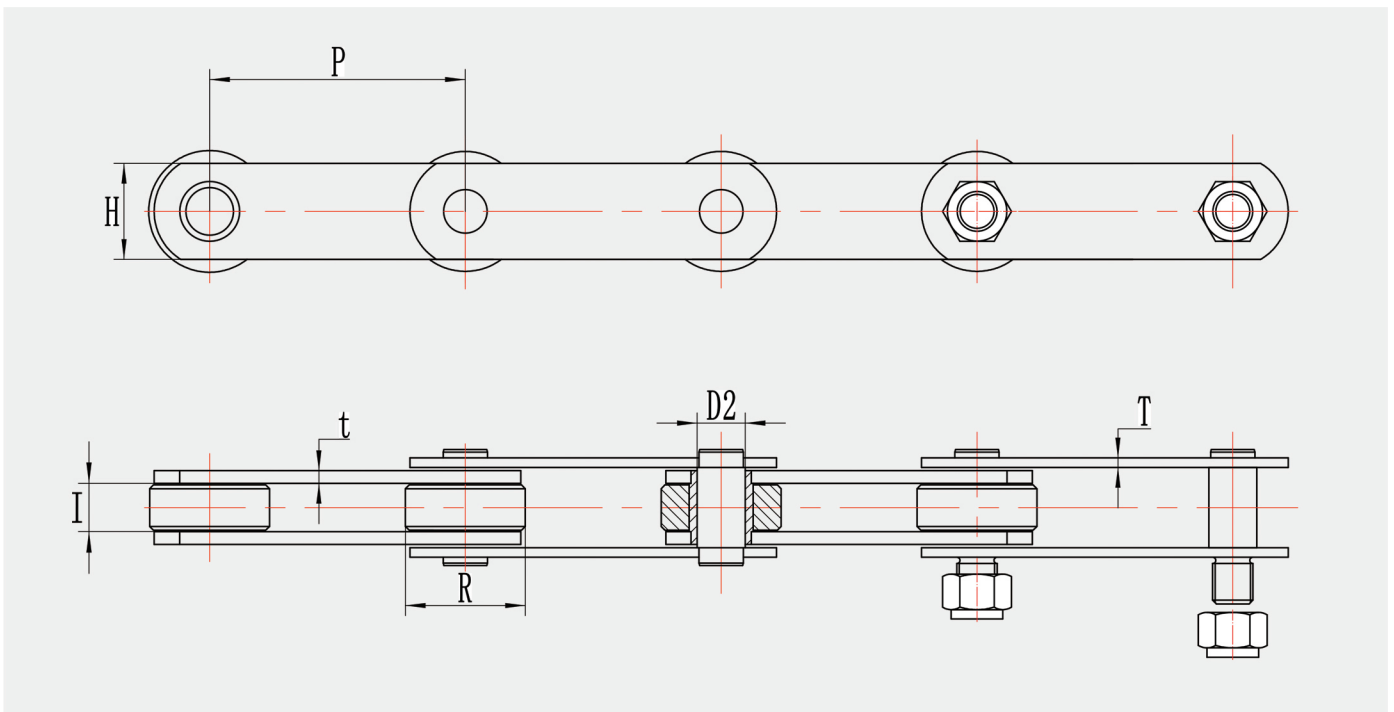
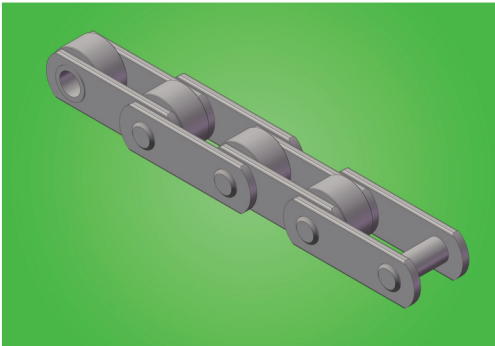
Dimensions marked with * are customizable based on your operating conditions.

E-mail: sales@metaldrives.com 004



Palm Oil Chain

Solid Pin Chain

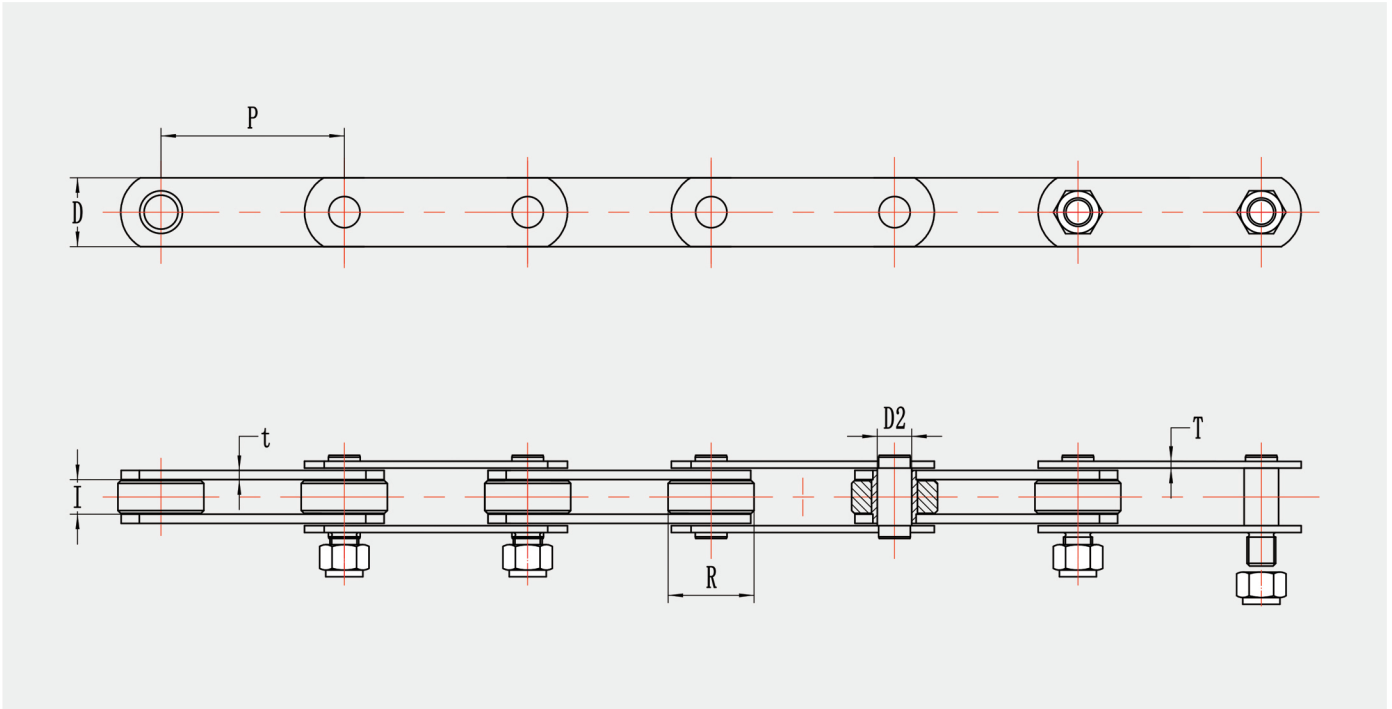
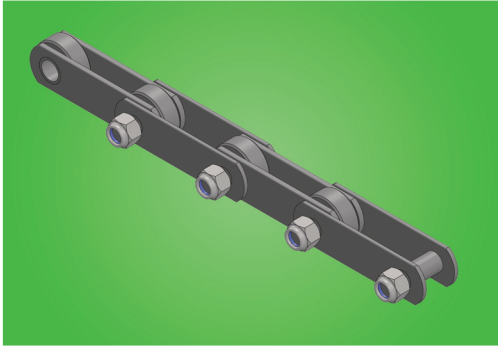


MTD No	Pitch*		Breaking Load* (lbf)	Roller Dia*	Inner Width*	Plate Depth*	Plate Thickness*		Pin Dia* (mm)	
	P			R	I	H	t	T	D1	D2
	inch	mm								
MTD117-2in7500lb	2	50.8	7500	31.75	15.24	25.4	4	4	19.05	/
MTD117-3in7500lb	3	76.2	7500	31.75	15.24	25.4	4	4	19.05	/
MTD117-4in7500lb	4	101.6	7500	31.75	15.24	25.4	4	4	19.05	/
MTD117-6in7500lb	6	152.4	7500	31.75	15.24	25.4	4	4	19.05	/
MTD118-3in15000lb	3	76.2	15000	47.63	19.16	38.1	5.1	3.81	25.4	/
MTD118-4in15000lb	4	101.6	15000	47.63	19.16	38.1	5.1	3.81	25.4	/
MTD118-6in15000lb	6	152.4	15000	47.63	19.16	38.1	5.1	3.81	25.4	/



Palm Oil Chain

Threaded Pin Chain



MTD No	Pitch*		Breaking Load* (lbf)	Roller Dia*	Inner Width*	Plate Depth*	Plate Thickness*		Pin Dia* (mm)	
	P			R	l	H	t	T	D1	D2
	inch	mm								
MTD118-4in27000lb	4	101.6	27000	47.63	19.16	38.1	5.1	3.81	25.4	/
MTD119-4in30000lb	4	101.6	30000	66.7	25.4	50.8	7.1	5.1	26.97	/
MTD119-6in30000lb	6	152.4	30000	66.7	25.4	50.8	7.1	5.1	26.97	/
MTD119-4in55000lb	4	101.6	55000	66.7	25.4	50.8	7.1	5.1	26.97	/
MTD119-6in60000lb	6	152.4	60000	66.7	25.4	50.8	7.1	5.1	26.97	/
MTD121-6in60000lb	6	152.4	60000	66.7	25.4	50.8	10	10	26.97	/
MTD121-6in80000lb	6	152.4	80000	66.7	25.4	50.8	10	10	26.97	/

Dimensions marked with * are customizable based on your operating conditions.

E-mail: sales@metaldrives.com 006