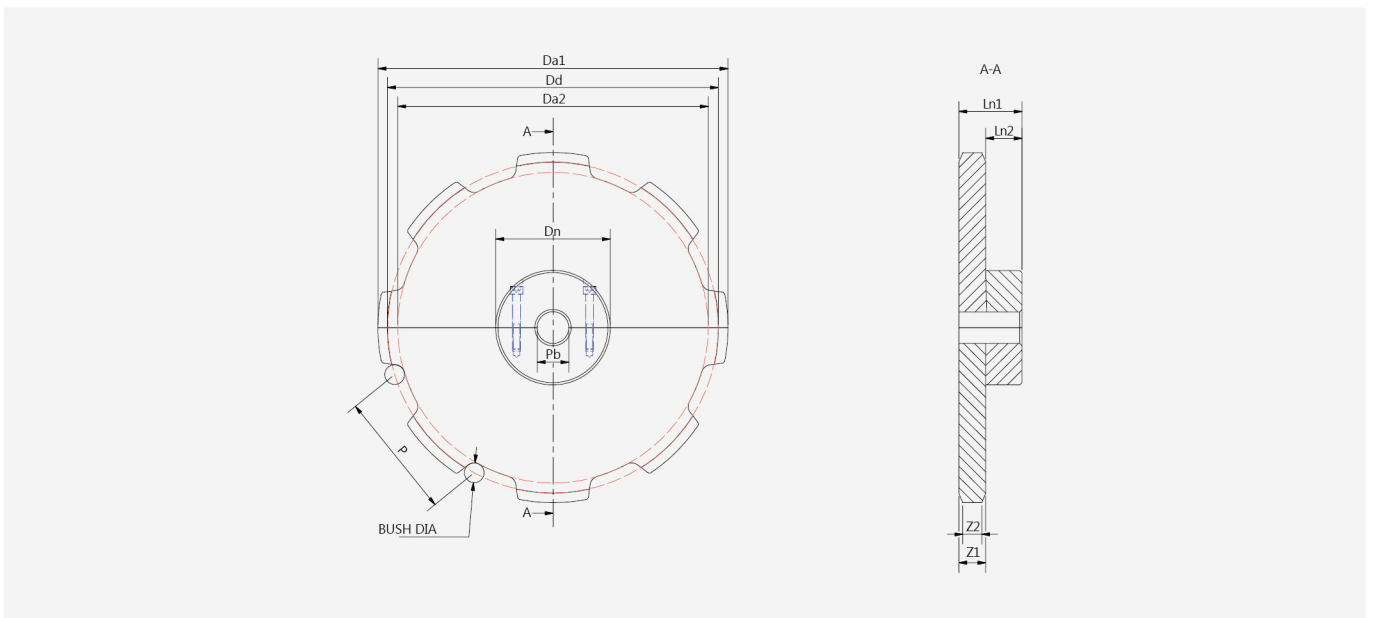




Sprockets For Metric Conveyor Chains

DIN 8167 M



ISO Nr	Chain Pitch [mm]	z No. of teeth [pieces]	Dd [mm]	Da1 Outside [mm]	Da2 Tooth bottom dia [mm]	Bush dia [mm]	Dn Hub dia [mm]	Ln1 Total width [mm]	Ln2 Hub width [mm]	Z1 Plate thickness [mm]	Z2 Tooth peak width [mm]	Pre bore [mm]
M40	100	8	261.31	273.81	248.81	12.5	110	60	42	18	12	30
M40	100	10	323.61	336.11	311.11	12.5	125	65	47	18	12	40
M40	100	12	386.37	398.87	373.87	12.5	125	70	52	18	12	40
M40	100	16	512.58	525.08	500.08	12.5	180	100	82	18	12	50
M40	125	8	326.63	339.13	314.13	12.5	125	65	47	18	12	40
M40	125	10	404.51	417.01	392.01	12.5	145	75	57	18	12	40
M40	125	12	482.96	495.46	470.46	12.5	145	75	57	18	12	40
M40	160	8	418.09	430.59	405.59	12.5	145	75	57	18	12	40
M40	160	12	618.19	630.69	605.69	12.5	165	85	67	18	12	40
M56	63	10	203.87	218.87	188.87	15	90	50	28	22	16	30

* Continued

ISO Nr	Chain Pitch [mm]	z No. of teeth [pieces]	Dd [mm]	Da1 Outside [mm]	Da2 Tooth bottom dia [mm]	Bush dia [mm]	Dn Hub dia [mm]	Ln1 Total width [mm]	Ln2 Hub width [mm]	Z1 Plate thickness [mm]	Z2 Tooth peak width [mm]	Pre bore [mm]
M56	63	16	322.92	337.92	307.92	15	135	65	43	22	16	40
M56	63	24	482.66	497.66	467.66	15	145	65	43	22	16	40
M56	63	40	802.96	817.96	787.96	15	180	100	78	22	16	50
M56	80	8	209.05	224.05	194.05	15	90	50	28	22	16	30
M56	80	10	258.89	273.89	243.89	15	110	60	38	22	16	30
M56	80	16	410.06	425.06	395.06	15	125	80	58	22	16	40
M56	80	24	612.9	627.9	597.9	15	145	90	68	22	16	40
M56	100	8	261.31	276.31	246.31	15	100	60	38	22	16	30
M56	100	10	323.61	338.61	308.61	15	125	65	43	22	16	40
M56	100	12	386.37	401.37	371.37	15	135	70	48	22	16	40
M56	100	16	512.58	527.58	497.58	15	145	80	58	22	16	40
M56	125	8	326.63	341.63	311.63	15	125	65	43	22	16	40
M56	125	10	404.51	419.51	389.51	15	145	80	58	22	16	40
M56	125	12	482.96	497.96	467.96	15	145	75	53	22	16	40
M56	160	8	418.09	433.09	403.09	15	145	80	58	22	16	40
M56	160	10	517.77	532.77	502.77	15	155	85	63	22	16	40
M56	160	12	618.19	633.19	603.19	15	165	90	68	22	16	40
M80	80	8	209.05	227.05	191.05	18	90	50	25	25	18	30
M80	80	10	258.89	276.89	240.89	18	110	60	35	25	18	30
M80	80	16	410.06	428.06	392.06	18	145	65	40	25	18	40
M80	80	24	612.9	630.9	594.9	18	145	65	40	25	18	40
M80	100	8	261.31	279.31	243.31	18	110	60	35	25	18	30
M80	100	10	323.61	341.61	305.61	18	125	65	40	25	18	40
M80	100	12	386.37	404.37	368.37	18	135	70	45	25	18	40
M80	100	16	512.58	530.58	494.58	18	145	70	45	25	18	40
M80	125	8	326.63	344.63	308.63	18	125	65	40	25	18	40
M80	125	10	404.51	422.51	386.51	18	145	80	55	25	18	40
M80	125	12	482.96	500.96	464.96	18	145	75	50	25	18	40
M80	160	8	418.09	436.09	400.09	18	145	80	55	25	18	40
M80	160	10	517.77	535.77	499.77	18	155	85	60	25	18	40
M80	160	12	618.19	636.19	600.19	18	165	90	65	25	18	40
M80	200	8	522.62	540.62	504.62	18	155	85	60	25	18	40
M80	200	10	647.22	665.22	629.22	18	165	90	65	25	18	40
M80	200	12	772.74	790.74	754.74	18	180	100	75	25	18	50
M112	80	8	209.05	230.05	188.05	21	90	50	21	29	21	30
M112	80	10	258.59	279.59	237.59	21	110	60	31	29	21	30
M112	80	16	410.06	431.06	389.06	21	125	80	51	29	21	40
M112	80	24	612.9	633.9	591.9	21	145	90	61	29	21	40
M112	100	8	261.31	282.31	240.31	21	110	60	31	29	21	40
M112	100	10	323.61	344.61	302.61	21	125	70	41	29	21	40
M112	100	12	386.37	407.37	365.37	21	135	75	46	29	21	40
M112	100	16	512.58	533.58	491.58	21	145	80	51	29	21	40
M112	125	8	326.63	347.63	305.63	21	125	70	41	29	21	40
M112	125	10	404.51	425.51	383.51	21	140	75	46	29	21	40
M112	125	12	482.96	503.96	461.96	21	140	80	51	29	21	40

* Continued

ISO Nr	Chain Pitch [mm]	z No. of teeth [pieces]	Dd [mm]	Da1 Outside [mm]	Da2 Tooth bottom dia [mm]	Bush dia [mm]	Dn Hub dia [mm]	Ln1 Total width [mm]	Ln2 Hub width [mm]	Z1 Plate thickness [mm]	Z2 Tooth peak width [mm]	Pre bore [mm]
M112	160	8	418.09	439.09	397.09	21	145	75	46	29	21	40
M112	160	10	517.77	538.77	496.77	21	155	80	51	29	21	40
M112	160	12	618.19	639.19	597.19	21	165	85	56	29	21	40
M112	200	8	522.62	543.62	501.62	21	155	80	51	29	21	40
M112	200	10	647.22	668.22	626.22	21	165	85	56	29	21	40
M112	200	12	772.74	793.74	751.74	21	180	95	66	29	21	50
M160	100	8	261.31	286.31	236.31	25	110	60	26	34	24	40
M160	100	10	326.61	351.61	301.61	25	120	65	31	34	24	40
M160	100	12	386.37	411.37	361.37	25	130	70	36	34	24	40
M160	100	16	512.58	537.58	487.58	25	155	85	51	34	24	40
M160	125	8	326.63	351.63	301.63	25	120	65	31	34	24	40
M160	125	10	404.51	429.51	379.51	25	130	70	36	34	24	40
M160	125	12	482.96	507.96	457.96	25	140	80	46	34	24	40
M160	160	8	418.09	443.09	393.09	25	145	80	46	34	24	40
M160	160	10	517.77	542.77	492.77	25	155	85	51	34	24	40
M160	160	12	618.19	643.19	593.19	25	165	90	56	34	24	40
M160	200	8	522.62	547.62	497.62	25	155	85	51	34	24	40
M160	200	10	647.22	672.22	622.22	25	165	90	56	34	24	40
M160	200	12	772.74	797.74	747.74	25	180	100	66	34	24	50
M160	250	8	653.27	678.27	628.27	25	165	90	56	34	24	40
M160	250	10	809.02	834.02	784.02	25	190	105	71	34	24	50
M160	250	12	965.92	990.92	940.92	25	215	120	86	34	24	50
M224	125	8	326.63	356.63	296.63	30	120	65	26	39	28	40
M224	125	10	404.51	434.51	374.51	30	130	70	31	39	28	40
M224	125	12	482.96	512.96	452.96	30	140	80	41	39	28	40
M224	160	8	418.09	448.09	388.09	30	145	80	41	39	28	40
M224	160	10	517.77	547.77	487.77	30	155	85	46	39	28	40
M224	160	12	618.19	648.19	588.19	30	165	90	51	39	28	40
M224	200	8	522.62	552.62	492.62	30	155	85	46	39	28	40
M224	200	10	647.22	677.22	617.22	30	165	90	51	39	28	40
M224	200	12	772.74	802.74	742.74	30	180	100	61	39	28	50
M224	250	8	653.27	683.27	623.27	30	165	90	51	39	28	40
M224	250	10	809.02	839.02	779.02	30	190	105	66	39	28	50
M224	250	12	965.92	995.92	935.92	30	215	120	81	39	28	50
M315	160	8	418.09	454.09	382.09	36	200	115	71	44	31	50
M315	160	10	517.77	553.77	481.77	36	200	115	71	44	31	60
M315	160	12	618.19	654.19	582.19	36	210	115	71	44	31	60
M315	200	8	522.62	558.62	486.62	36	200	115	71	44	31	50
M315	200	10	647.22	683.22	611.22	36	200	115	71	44	31	60
M315	200	12	772.74	808.74	736.74	36	210	115	71	44	31	60
M315	250	8	653.27	689.27	617.27	36	210	115	71	44	31	60
M315	250	10	809.02	845.02	773.02	36	210	115	71	44	31	60
M315	250	12	965.92	1001.92	929.92	36	225	125	81	44	31	60