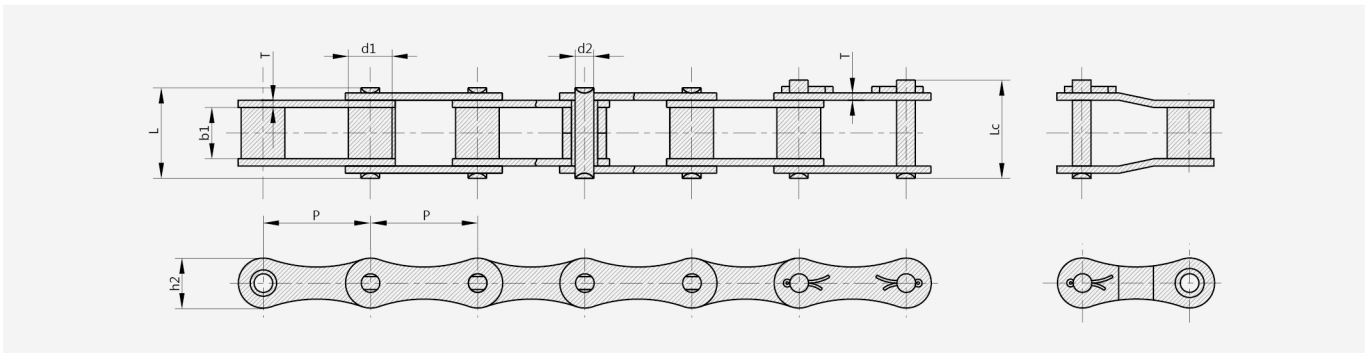


S Type Steel Agricultural Chain



Chain No.	Pitch P [mm]	Roller diameter d1 max [mm]	Width between inner plates b1 min [mm]	Pin diameter d2 max [mm]	Pin length L max [mm]	Pin length Lc max [mm]	Inner plate depth h2 max [mm]	Plate thickness T max [mm]	Ultimate tensile strength Q min [kN/lbf]	Average tensile strength q [kN]	Weight per meter q [kg/m]
S32	29.21	11.43	15.88	4.45	26.6	28.5	13.5	1.8	8.0/1818	21.6	0.86
S32V	29.21	11.43	15.88	5.08	27.3	29.7	13.5	2.1	25.0/5680	27.0	0.96
S42	34.93	14.27	19.05	7.00	34.3	37.4	19.8	2.8	27.0/6136	50.8	1.60
S45	41.40	15.24	22.23	5.72	37.7	40.3	17.3	2.8	18.0/4091	36.1	1.66
S45R	41.40	15.24	22.23	7.16	38.7	41.6	17.3	3.0	35.5/8068	40.1	1.70
S51	38.10	15.24	16.00	5.72	31.1	33.7	17.3	2.8	28.0/6364	30.8	1.48
S52L	38.10	15.24	16.40	5.72	31.1	33.7	17.3	2.5	25.5/6636	32.2	1.36
S52	38.10	15.24	22.23	5.72	37.7	40.3	17.3	2.8	18.0/4091	36.1	1.68
S55V	41.40	17.78	22.60	8.28	39.0	41.9	20.0	3.0	42.0/9546	45.0	2.22
S55	41.40	17.78	22.23	5.72	37.7	40.3	17.3	2.8	18.0/4091	36.1	1.80
S55R	41.40	17.78	22.23	8.90	41.0	44.0	22.4	3.5	45.0/10227	73.1	2.49
S55RH	41.40	17.78	22.23	5.90	43.2	46.3	22.4	4.0	65.0/14772	84.5	2.74
S62	41.91	19.05	26.20	5.72	40.3	43.0	17.3	2.5	26.7/6067	36.1	1.87
S77	58.34	18.26	22.23	8.90	43.2	46.4	26.2	4.0	45.0/10227	73.1	2.66
S88	66.27	22.86	28.58	8.90	49.8	53.0	26.2	4.0	45.0/10227	73.1	3.25
CA642	41.40	15.88	19.05	8.28	36.1	39.1	21.2	3.0	50.0/11363	55.0	1.98
CA643	41.40	15.88	22.20	8.28	41.0	44.1	21.2	4.0/3.0	60.0/13635	75.0	2.42