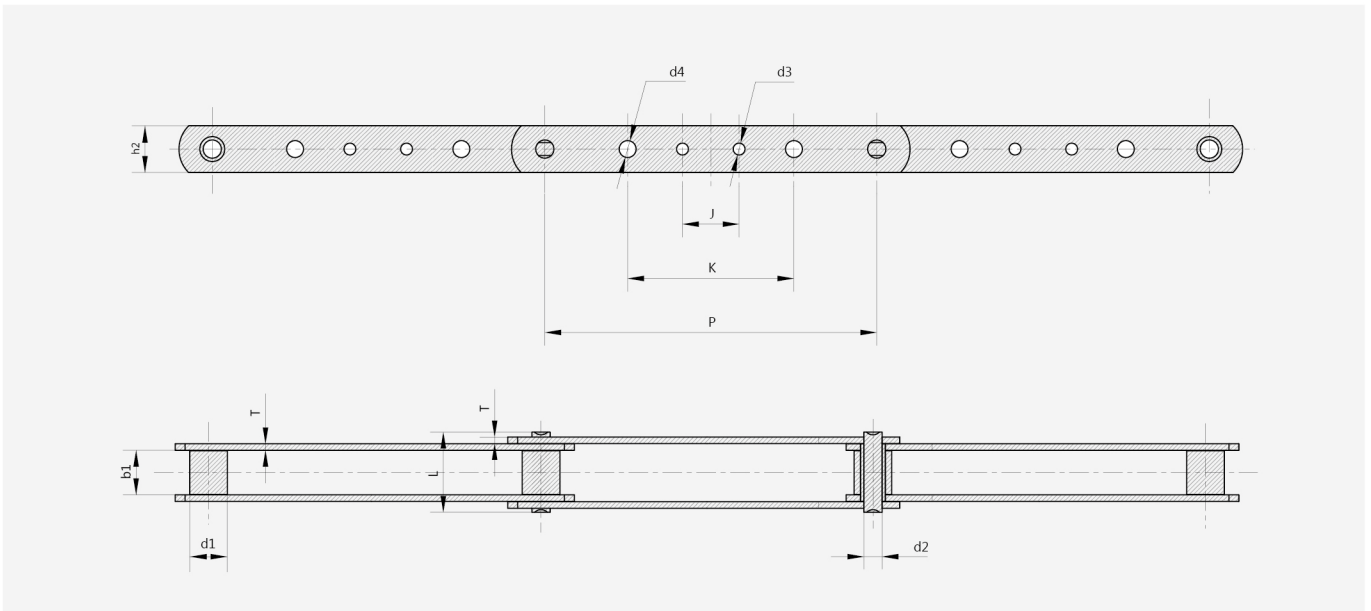


Lumber Conveyor Chain & Attachments



Chain No.	Pitch P [mm]	Roller diameter d1 [mm]	Width between inner plates b1 [mm]	Pin dimension d2 [mm]	Pin dimension L [mm]	Plate dimension h2 [mm]	Plate dimension d3 [mm]	Plate dimension d4 [mm]	Plate dimension J [mm]	Plate dimension K [mm]	Plate thickness T [mm]	Ultimate tensile strength Q [kN/lbf]	Average tensile strength q [kN]	Weight per meter q [kg/m]
3939-B4	203.2	23.0	27.0	11.1	49.0	28.58	7.2	7.2	38.1	101.6	4.0	115.58/26268	136.5	2.45
3939-B21	203.2	23.0	27.0	11.1	49.0	28.58	7.2	-	38.1	-	4.0	115.58/26268	136.5	2.45
3939-B23	203.2	23.0	27.0	11.1	49.0	28.58	-	10.3	-	92.1	4.0	115.58/26268	136.5	2.45
3939-B24	203.2	23.0	27.0	11.1	49.0	28.58	-	7.2	-	101.6	4.0	115.58/26268	136.5	2.48
3939-B40	203.2	23.0	27.0	11.1	49.0	28.58	-	10.3	-	101.6	4.0	115.58/26268	136.5	2.45
3939-B43	203.2	23.0	27.0	11.1	49.0	28.58	7.2	10.3	38.1	92.1	4.0	115.58/26268	136.5	2.42
3939-B44	203.2	23.0	27.0	11.1	49.0	28.58	7.2	10.3	38.1	101.6	4.0	115.58/26268	136.5	2.45
3939H-B4	203.2	23.0	27.0	11.1	58.0	28.60	-	7.2	38.0	102.0	6.4	150.00/34082	172.5	3.51