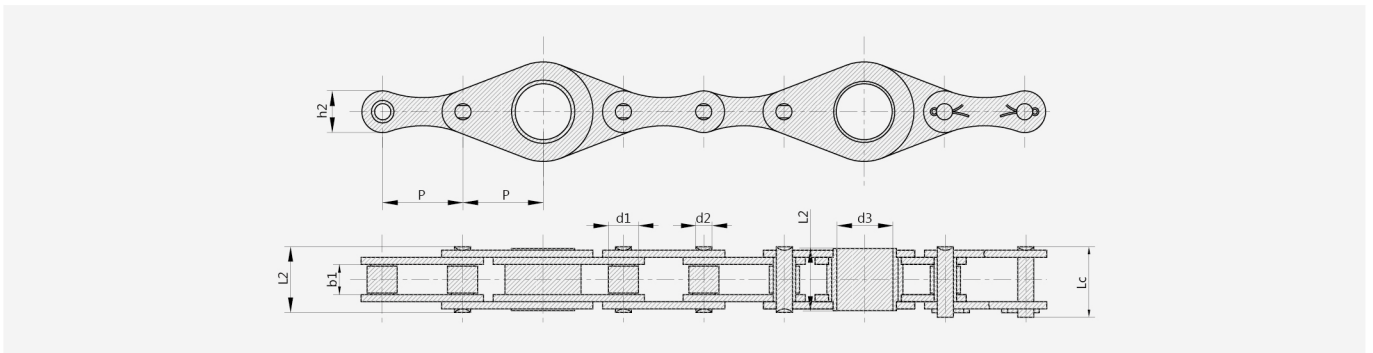




# CA Type Steel Agricultural Chain



Chain No.	Pitch P [mm]	Roller diameter d1 max [mm]	Width between inner plates b1 min [mm]	Pin diameter d2 max [mm]	Hollow pin inner diameter d3 min [mm]	Pin length L max [mm]	Pin length L2 max [mm]	Pin length Lc max [mm]	Inner plate depth T max [mm]	Ultimate tensile strength q min [kN/lbf]	Average tensile strength Q0 [kN]
CA650	50.8	19.05	19.05	10.19	35.4	41.5	38.0	44.5	26.4	70.8	99.0